

[\[AD\]](#)

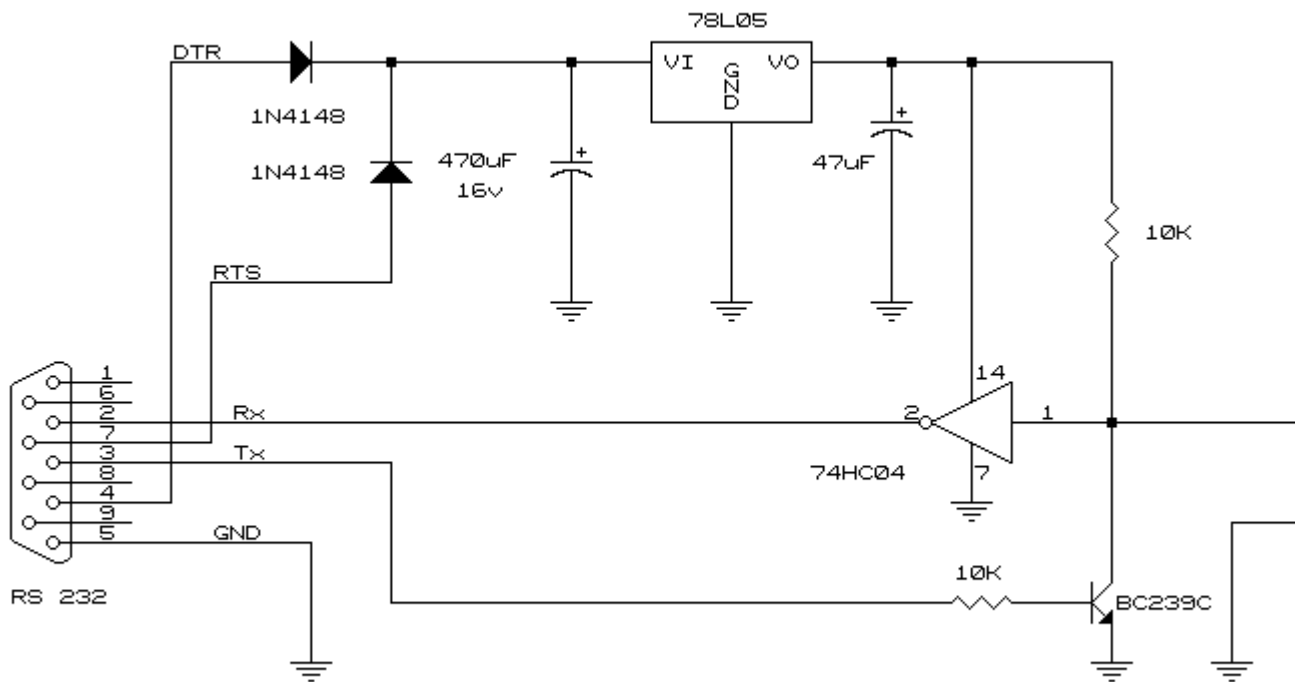
?

SCHEMATIC TERRORIST

?????????? a socket and the circuit of adapters for cellular and ??????????????? No

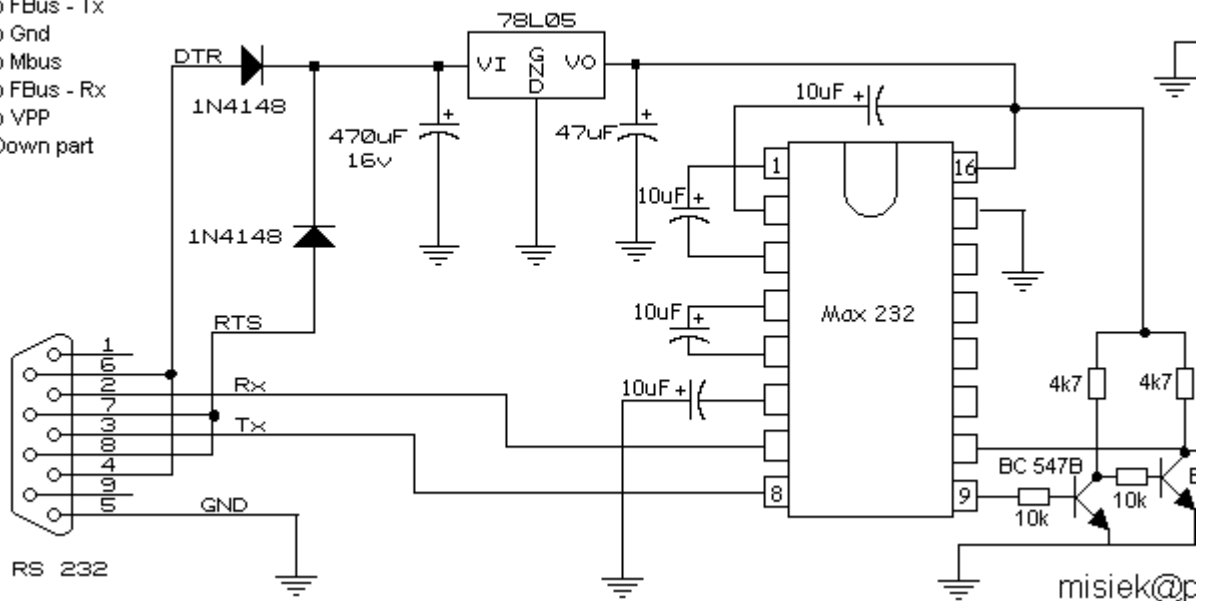


Nokia 5110,61xx, 7110,6210

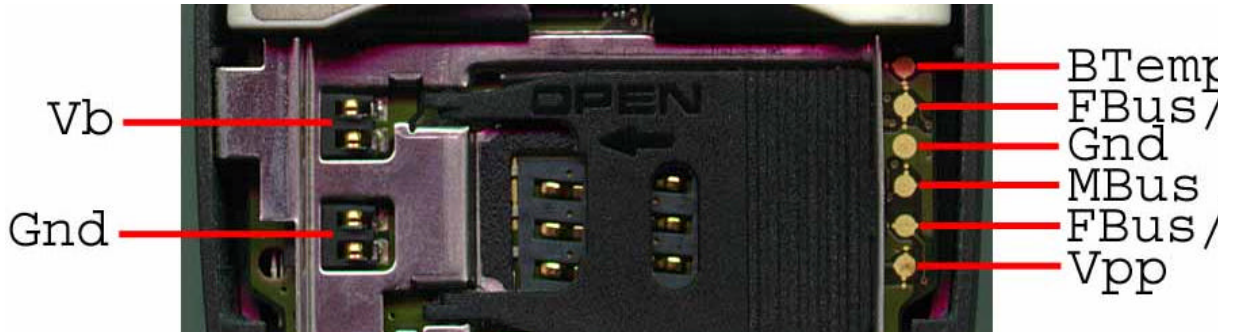


- Upper Right part of your phone
- o BTEMP
 - o FBus - Tx
 - o Gnd
 - o Mbus
 - o FBus - Rx
 - o VPP
- Down part

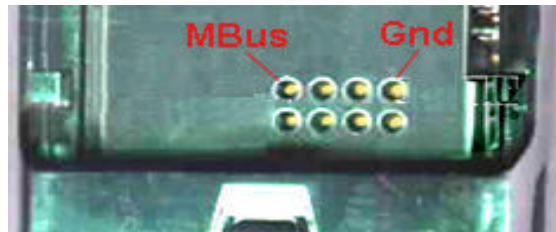
Nokia 3210 MBUS Interface by Misiek



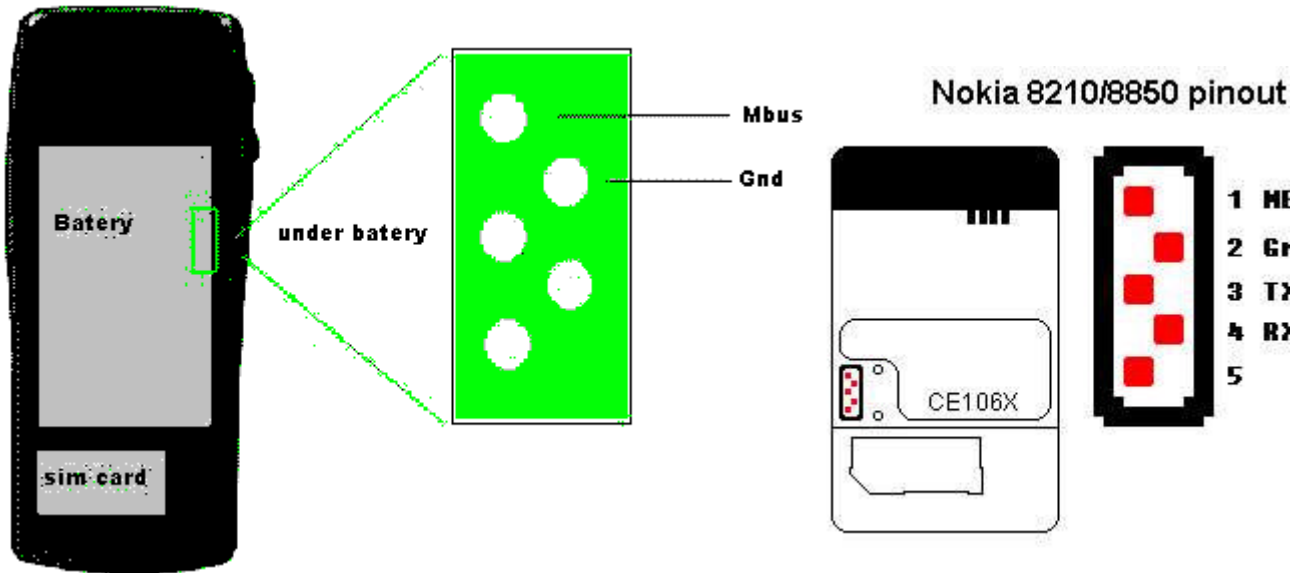
????????????? Nokia 3210



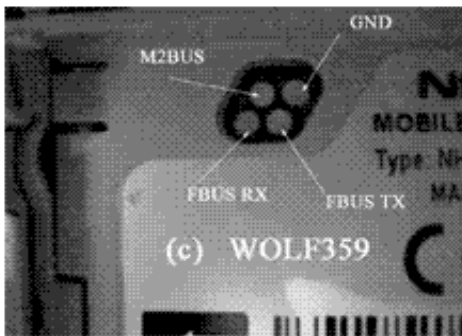
??????????? Nokia 8810



??????????? Nokia 8210 and 8850

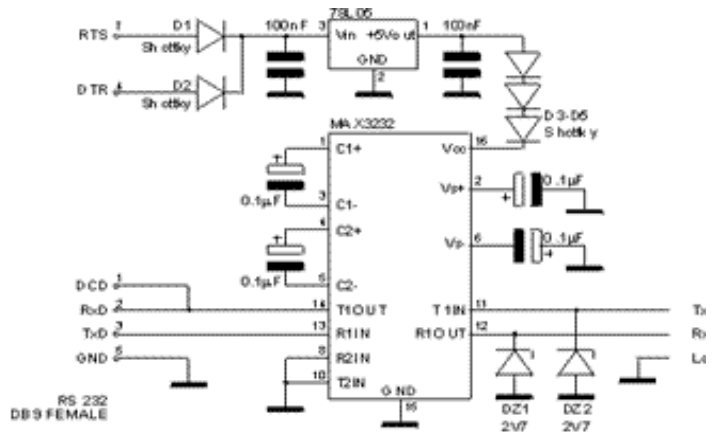


??????????? and adapters for Nokia 3310

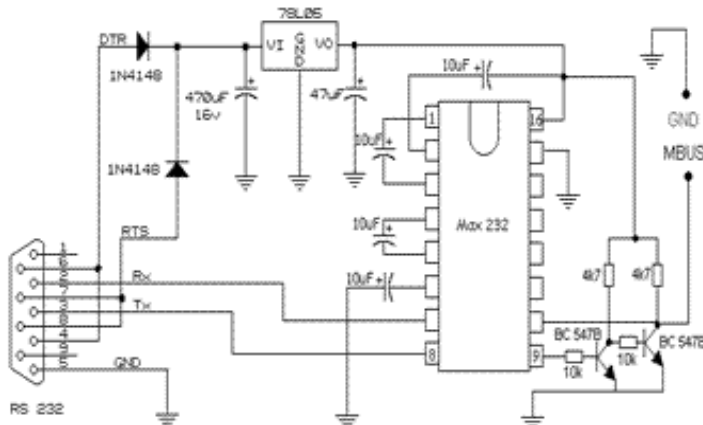


Wolf359

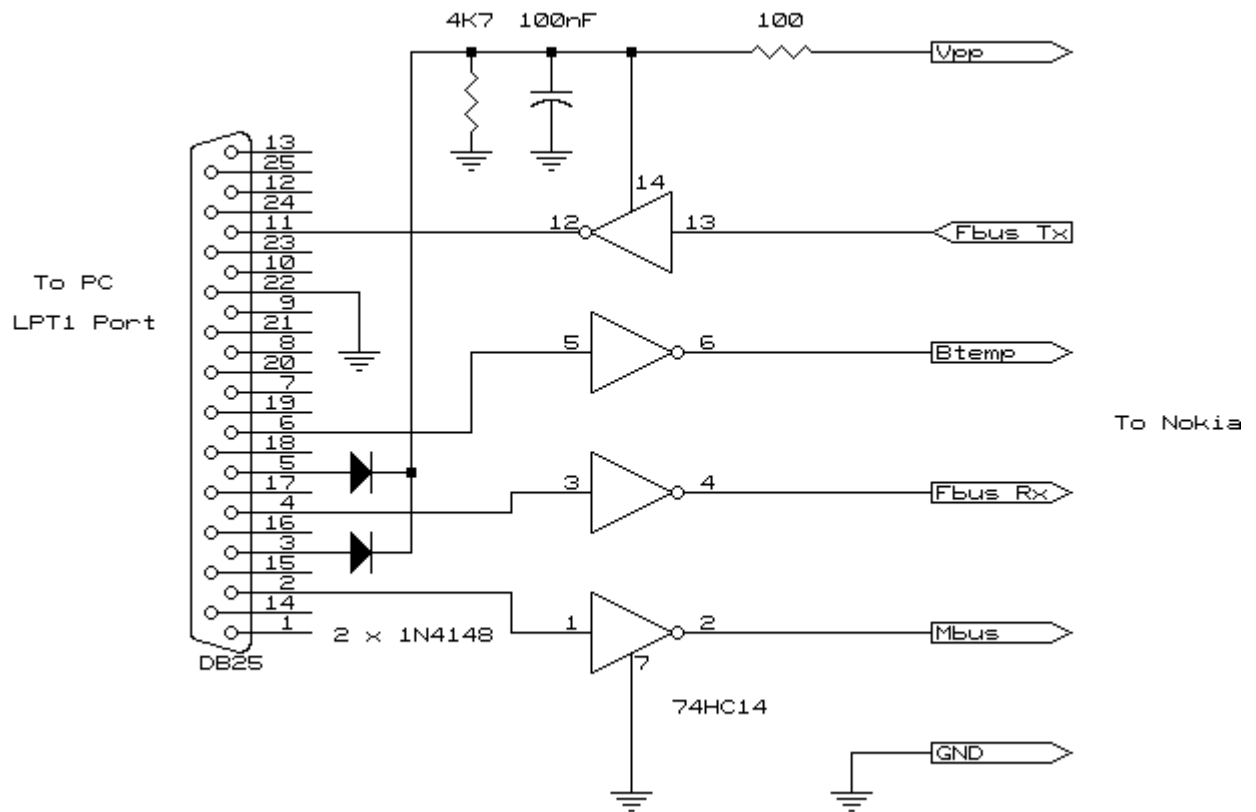
Nokia 3310/3210 M2BUS Interface by Misiak



Nokia
3310
FBUS

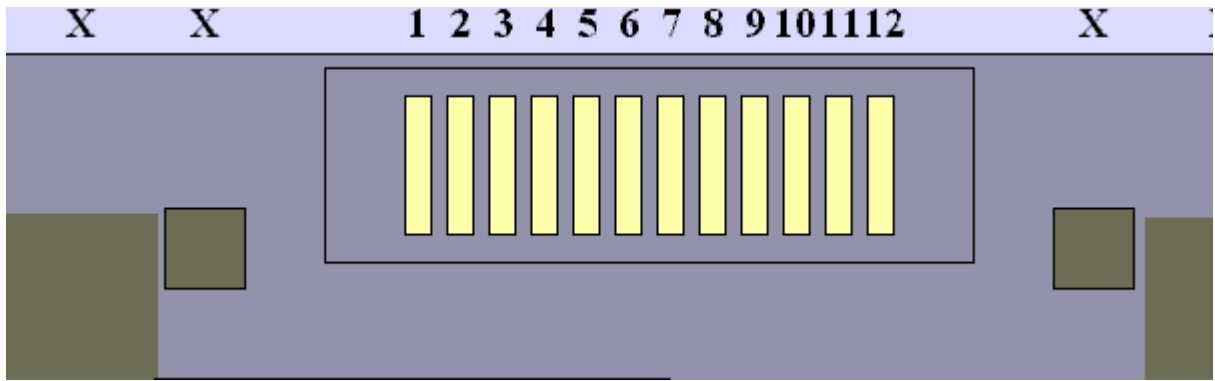


Nokia LPT FLASHING Interface



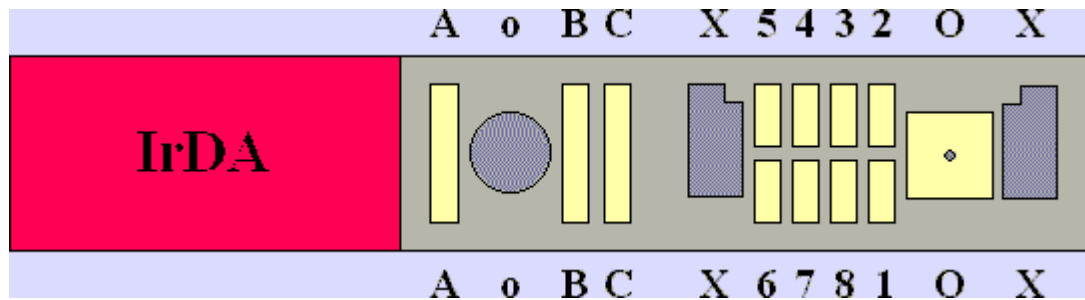
Nokia (9000 ii) Communicator

1	Vcc+
2	Vcc+
3	MBUS
4	Test Modux
5	GND (Charger and Digital)
6	MIC
7	EAR
8	TxD (Data OUT)
9	RxD (Data IN)
10	GND (Analog - for accessories)
11	GND (Charger and Digital)
12	GND (Charger and Digital)
X	Locking Hole



Nokia 9110 Communicator

A	GND
o	DC Jack (Signals as on PINs A, B, C)
B	Charger Input Voltage
C	Charger Control Output
X	Locking Hole
5	DCE RX (Serial Data Input)
4	DCE TX (Serial Data Output)
3	DTR
2	GND
6	SGND (Accessory Signal Ground)
7	XEAR (Accessory Earphone Signal Ground)
8	XMIC (Accessory Microphone Signal Ground)
1	MBUS
O	External RF with Switch



??????? ??????????

Schematic



